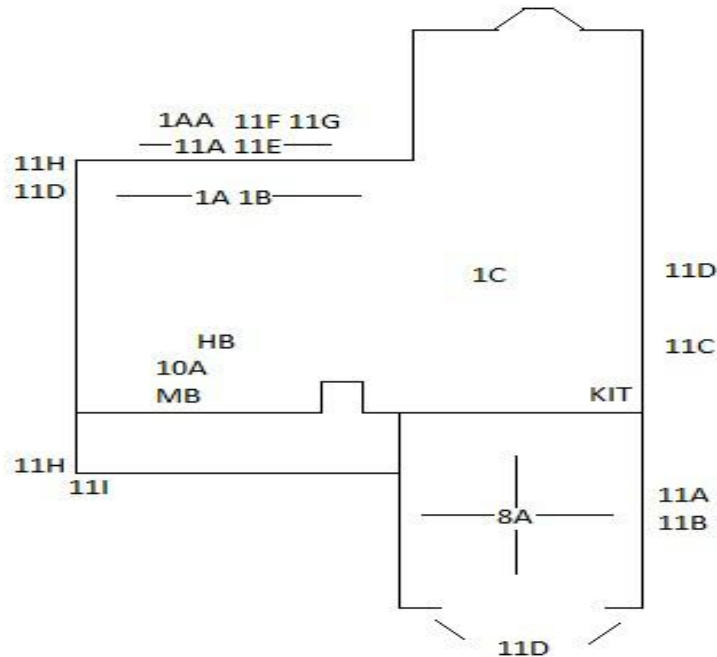


WOOD DESTROYING PESTS AND ORGANISMS INSPECTION REPORT

Building No. 758	Street Haverhill Dr.	City Sunnyvale	Zip 94087	Date of Inspection 07/21/10	Number of Pages 8
Remnant Termite Control Company 499 Salmar Ave. #G Campbell CA 95008 Tel 408-374-7100 Fax 408-374-7101 remnanttermite@yahoo.com				Report # : 12432 Registration # : PR3771 Escrow # : <input type="checkbox"/> CORRECTED REPORT	
Ordered by: JENNY HUH U.S.NETWORK REALTY 3334 EL CAMINO REAL SANTA CLARA CA 95051		Property Owner and/or Party of Interest: JENNY HUH/Agent 758 Haverhill Dr. Sunnyvale CA 94087		Report sent to: JENNY HUH U.S.NETWORK REALTY 3334 EL CAMINO REAL SANTA CLARA CA 95051	
COMPLETE REPORT <input checked="" type="checkbox"/> LIMITED REPORT <input type="checkbox"/> SUPPLEMENTAL REPORT <input type="checkbox"/> REINSPECTION REPORT <input type="checkbox"/>					
GENERAL DESCRIPTION: 1 STORY, 1 FAMILY, WOOD FRAME, STUCCO/WOOD EXTERIOR				Inspection Tag Posted: SUBAREA Other Tags Posted:	
An inspection has been made of the structure(s) shown on the diagram in accordance with the Structural Pest Control Act. Detached porches, detached steps, detached decks and any other structures not on the diagram were not inspected.					
Subterranean Termites <input checked="" type="checkbox"/> Drywood Termites <input checked="" type="checkbox"/> Fungus / Dryrot <input checked="" type="checkbox"/> Other Findings <input checked="" type="checkbox"/> Further Inspection <input checked="" type="checkbox"/> If any of the above boxes are checked, it indicates that there were visible problems in accessible areas. Read the report for details on checked					

Diagram Not To Scale



Inspected By: Herbert Y. Kim

State License No. OPR10256

Signature:

You are entitled to obtain copies of all reports and completion notices on this property reported to the Structural Pest Control Board during the preceding two years. To obtain copies contact: Structural Pest Control Board, 2005 Evergreen Street, Suite 1500, Sacramento, California, 95815-3831.

NOTE: Questions or problems concerning the above report should be directed to the manager of the company. Unresolved questions or problems with services performed may be directed to the Structural Pest Control Board at (916) 561-8708, (800) 737-8188 or www.pestboard.ca.gov. 43M-41 (Rev. 10/01)

Remnant Termite Control Company

Page 2 of inspection report

758	Haverhill Dr.	Sunnyvale	CA	94087
Address of Property Inspected		City	State	Zip
	07/21/10	12432		
Stamp No.	Date of Inspection	Co. Report No.	Escrow No.	

WHAT IS A WOOD DESTROYING PEST & ORGANISM INSPECTION REPORT? READ THIS DOCUMENT. IT EXPLAINS THE SCOPE AND LIMITATIONS OF A STRUCTURAL PEST CONTROL INSPECTION AND A WOOD DESTROYING PEST & ORGANISM INSPECTION REPORT.

A Wood Destroying Pest & Organism Inspection Report contains findings as to the presence or absence of evidence of wood destroying pests and organisms in visible and accessible areas and contains recommendations for correcting any infestations or infections found. The contents of Wood Destroying Pest & Organism Inspection Reports are governed by the Structural Pest Control Act and regulations.

Some structures do not comply with building code requirements or may have structural, plumbing, electrical, mechanical, heating, air conditioning or other defects that do not pertain to wood destroying organisms. A Wood Destroying Pest & Organism Inspection Report does not contain information on such defects, if any, as they are not within the scope of the licenses of either this company, or it's employees.

The Structural Pest Control Act requires inspection of only those areas which are visible and accessible at the time of inspection. Some areas of the structure are not accessible to inspection, such as the interior of hollow walls, spaces between floors, areas concealed by carpeting, appliances, furniture or cabinets. Infestations or infections may be active in these areas without visible and accessible evidence. If you desire information about areas that were not inspected, a further inspection may be performed at an additional cost. Carpets, furniture or appliances are not moved and windows are not opened during a routine inspection.

The exterior Surface of the roof was not inspected. If you want the water tightness of the roof determined, you should contact a roofing contractor who is licensed by the Contractor's State License Board.

This company does not certify or guarantee against any leakage, such as (but not limited to) plumbing, appliances, walls, doors, windows, any type of seepage, roof or deck coverings. This company renders no guarantee, whatsoever, against any infection, infestation or any other adverse condition which may exist in such areas or may become visibly evident in such area after this date. Upon request, further inspection of these areas would be performed at an additional charge.

In the event damage or infestation described herein is later found to extend further than anticipated, our bid will not include such repairs. **OWNER SHOULD BE AWARE OF THIS CLOSED BID WHEN CONTRACTING WITH OTHERS OR UNDERTAKING THE WORK HIMSELF/HERSELF.**

If requested by the person ordering this report, a re-inspection of the structure will be performed. Such requests must be within four (4) months of the date of this inspection. Every re-inspection fee amount shall not exceed the original inspection fee.

Wall paper, stain, or interior painting are excluded from our contract. New wood exposed to the weather will be prime painted, only upon request at an additional expense.

All pesticides and fungicides must be applied by a state certified applicator (sec. 8555 Business and Professions Code Division 3) and in accordance with the manufacturer's label requirements.

This company will reinspect repairs done by others within four months of the original inspection. A charge, if any, can be no greater than the original inspection fee for each reinspection. The reinspection must be done within ten (10) working days of request. The reinspection is a visual inspection and if inspection of concealed areas is desired, inspection of work in progress will be necessary. Any guarantees must be received from parties performing repairs.

“NOTICE: Reports on this structure prepared by various registered companies should list the same findings (i.e. termite infestations, termite damage, fungus damage, etc.). However, recommendations to correct these findings may vary from company to company. You have a right to seek a second opinion from another company.”

This Wood Destroying Pest & Organisms Report DOES NOT INCLUDE MOLD or any mold like conditions. No reference will be made to mold or mold-like conditions. Mold is not a Wood Destroying Organism and is outside the scope of this report as defined by the Structural Pest Control Act. If you wish your property to be inspected for mold or mold like conditions, please contact the appropriate mold professional.

Remnant Termite Control Company

Page 3 of 8 of Standard Inspection Report

758	Haverhill Dr.	Sunnyvale	CA	94087
Address of Property Inspected		City	State	Zip
Stamp No.	07/21/10	12432	Escrow No.	
Date of Inspection		Co. Report No.		

AREAS NOT INSPECTED PLEASE READ

We did not inspect the interior of finished walls or ceilings or behind installed finished cabinet work. We did not inspect the areas immediately under furniture or appliances. This structure contains slab flooring, and in slab floor construction, it is possible for Subterranean Termite infestations to be concealed and not evident at the time of our inspection; therefore, we assume no liability for any infestations that are not evident at the time of inspection. Our inspection does not include any electric, heating, or mechanical systems of the structure. We did not inspect the roof covering for leakage. Our inspection will not detect building code violations. If any information is desired about any areas mentioned, a company which makes home inspection should be engaged. The plumbing was inspected and only the leaks outlined in our report were found at this time; however, we assume no responsibility for leaks that occur after the date of this inspection.

NOTE; WORK PERFORMED BY OTHERS WILL BE REINSPECTED BY THIS COMPANY FOR REINSPECTION FEE OF \$100.00. OPEN WALL AND OPEN FLOOR INSPECTIONS ARE REQUIRED IF A CERTIFICATION IS DESIRED FROM THIS COMPANY. REINSPECTION MUST BE PERFORMED WITHIN FOUR MONTHS OF THE ORIGINAL INSPECTION DATE; SCHEDULING FOR REINSPECTION MAY REQUIRE AS LONG AS TEN DAYS TO BE MADE. NOTICE; Reports on this structure prepared by various registered companies should list the same findings(i.e. termite infestations, termite damage, fungus damage, etc.). However, recommendations to correct these findings may differ from company to company. You have the right to seek a second opinion from another company.

WE GUARANTEE CHEMICAL TREATMENTS AND FUMIGATIONS DONE BY THIS COMPANY FOR ONE YEAR FROM THE DATE OF COMPLETION. WE GUARANTEE WATER DAMAGE REPAIRS FOR THIRTY(30) DAYS FROM THE DATE OF COMPLETION. WE CANNOT GUARANTEE WORK DONE BY THE OWNER OR OWNER'S AGENT. WE MAKE NO GUARANTEE AGAINST FUTURE INFECTIONS, ADVERSE CONDITIONS, OR CONDITIONS PRESENT BUT NOT EVIDENT AT THE TIME OF OUR INSPECTION.

THIS IS A SEPERATED REPORT WHICH IS DEFINED AS SECTION I AND SECTION II CONDITIONS EVIDENT ON THE DATE OF INSPECTION. SECTION I CONTAINS ITEMS WHERE THERE IS EVIDENCE OF ACTIVE INFESTATION OR INFECTION, OR CONDITIONS THAT HAVE RESULTED IN OR FROM INFESTATION OR INFECTION. SECTION II ITEMS ARE CONDITIONS DEEMED LIKELY TO LEAD TO INFESTATION OR INFECTION BUT WHERE NO VISIBLE EVIDENCE OF SUCH WAS FOUND. FURTHER INSPECTION ITEMS ARE DEFINED AS RECOMMENDATIONS TO INSPECT THE AREA(S) WHICH DURING THE ORIGINAL INSPECTION DID NOT ALLOW THE INSPECTOR ACCESS TO COMPLETE HIS INSPECTION AND CANNOT BE DEFINED AS SECTION I OR SECTION II.

Remnant Termite Control Company

Page 4 of 8 of Standard Inspection Report

758	Haverhill Dr.	Sunnyvale	CA	94087
Address of Property Inspected		City	State	Zip
Stamp No.	07/21/10	12432	Escrow No.	
Date of Inspection		Co. Report No.		

1. SUBSTRUCTURE AREA:

01A - FINDING; The rim joist at rear has been damaged by fungus where indicated on the diagram.

RECOMMENDATION; Remove and replace and/or reinforce all damaged wood members. Treat with fungicide if necessary. If any damage is found to extend into any enclosed areas, a supplemental report and bid will be issued. SECTION 1

01AA - FINDING: The sprinklers at the rear were noted to be spraying the structure. This has caused damage to the structure.

RECOMMENDATION; The owner is advised to redirect them away from the structure to correct this condition. SECTION 1

01B - FINDING; There is evidence of Subterranean Termite infestation in the substructure area soil

RECOMMENDATION; Treat the affected areas with Premises75(Imidacloprid). SECTION 1

01C - FINDING; There is cellulose debris in earth contact in the substructure area.

RECOMMENDATION; Remove the cellulose debris of a size that can be raked from the substructure area. SECTION 2

7. ATTIC SPACES:

07A - NOTE; The attic was insulated; therefore, our inspection is limited to the visible and accessible wood members only.

8. GARAGES:

08A - FINDING; We were unable to inspect the interior of the garage due to stored personal property.

RECOMMENDATION; The owner should move the storage away from the garage walls to allow for further inspection. All findings, recommendations, and bids will be issued in a supplemental report.

Remnant Termite Control Company

Page 5 of 8 of Standard Inspection Report

758	Haverhill Dr.	Sunnyvale	CA	94087
Address of Property Inspected		City	State	Zip
Stamp No.	07/21/10	12432	Escrow No.	
	Date of Inspection	Co. Report No.		

10. OTHER - INTERIOR:

10A - FINDING; There is evidence of water leakage around the master bathroom glass shower enclosure.

RECOMMENDATION; Reseal this enclosure in the most practical way. With this type of enclosure, we can not guarantee to completely stop the leakage, only to control it. It will be the owners responsibility to maintain this enclosure in a waterproof condition. SECTION 2

11. OTHER - EXTERIOR:

11A - FINDING; Fungus damage was noted to the rafters as indicated on the diagram.

RECOMMENDATION; Remove and replace the damaged wood members to correct this condition. This bid includes replacement of roof covering where disturbed by our repairs. The guarantees on the roof covering are limited to the areas where the work was performed. SECTION 1

11B - FINDING; Fungus damage was noted to the fascia as indicated on the diagram.

RECOMMENDATION; Remove and replace the damaged wood members to correct this condition. This bid includes replacement of roof covering where disturbed by our repairs. The guarantees on the roof covering are limited to the areas where the work was performed. SECTION 1

11C - FINDING; Minor crack was noted in the exterior stucco as indicated on the diagram.

RECOMMENDATION; The owner is to seal these areas and maintain the exterior paint. SECTION 2

11D - FINDING; Fungus damage was noted to the beam ends at the rear and front.

RECOMMENDATION; Cut off and omit approximately 6-8 inches from all of the beam ends at the rear and front, and dispose of same. The owner is to paint as needed. SECTION 1

11E - FINDING; The rafter at rear has been damaged by termites where

Remnant Termite Control Company

Page 6 of 8 of Standard Inspection Report

758 Haverhill Dr. Sunnyvale CA 94087
Address of Property Inspected City State Zip

Stamp No. 07/21/10 Date of Inspection 12432 Co. Report No. Escrow No.

11E - FINDING; The rafter at rear has been damaged by termites where indicated on the diagram.

RECOMMENDATION; Remove and replace the damaged wood members to correct this condition. This bid includes replacement of roof covering where disturbed by our repairs. The guarantees on the roof covering are limited to the areas where the work was performed. SECTION 1

11F - FINDING; Infestation by Drywood Termites was noted at the exterior.

RECOMMENDATION; Treat the infested areas with the registered termicide CY-KICK(Cyfluthrin). NOTE; As Drywood Termites are a non-earth dwelling species, guarantees are limited to treated wood members only. SECTION 1

RECOMMENDATION; Drill a series of holes through the exterior wall to allow for injection of BORA-CARE(Disodium Octaborate Tetrahydrate)or TIMBOR(Disodium Octoborate Tetrahydrate) into the interior cavity of the wall. Upon completion of treatment, we will fill the holes. Owner is to finish walls as desired. NOTE: As Drywood Termites are a non-earth dwelling species, guarantees are limited to treated wood members only. SECTION 1

11G - FINDING: Drywood Termite pellets were evident as noted in above recommendation.

RECOMMENDATION: Remove or mask over all accessible termite pellets. It is possible for the Drywood Termite pellets to sift down or reappear in these areas where they have been masked over. SECTION 1

11H - FINDING; Fungus damage was noted to the barge rafter as indicated on the diagram.

RECOMMENDATION; Remove and replace the damaged wood members to correct this condition. This bid includes replacement of roof covering where disturbed by our repairs. The guarantees on the roof covering are limited to the areas where the work was performed. SECTION 1

11I - FINDING; Fungus damage was noted to the roof eaves as indicated on the diagram.

RECOMMENDATION; Remove and replace the damaged wood members to correct this condition. This bid includes replacement of roof covering where disturbed by our repairs. The guarantees on the roof covering are limited to the areas where the work was performed. SECTION 1

State law requires that you be given the following information:

Remnant Termite Control Company

Page 7 of 8 of Standard Inspection Report

758	Haverhill Dr.	Sunnyvale	CA	94087
Address of Property Inspected		City	State	Zip
Stamp No.	07/21/10	12432	Escrow No.	
Date of Inspection		Co. Report No.		

State Law requires that you be given the following information:

"CAUTION - PESTICIDES ARE TOXIC CHEMICALS. Structural Pest Control Operators are registered and regulated by the Structural Pest Control Board, and apply pesticides which are registered and approved for use by the California Department of Pesticide Regulation and the United States Environmental Protection Agency. Registration is granted when the state finds that based on scientific evidence, there are no appreciable if proper use conditions are followed or that the risks are outweighed by the benefits. The degree of risk depends on the degree of exposure, so exposure should be minimized."

"If within 24 hours following application, you experience symptoms similar to common seasonal illness comparable to the flu or any other symptoms of overexposure which are not typical of influenza, contact your physician or poison control center and your pest control company immediately."

For further information on health issues, contact any of the following County Health Department(s):

Alameda County: (510) 267-8000
Contra Costa County: (925) 313-6712
San Francisco County: (415) 554-2500
San Joaquin County: (209) 468-3420
San Mateo County: (650) 573-2757
Santa Clara County: (408) 918-3400

For further questions on applications, contact any of the following County Agricultural Commissioner(s):

Alameda County: (510) 670-5232
Contra Costa County: (925) 646-5250
San Francisco County: (415) 285-5010
San Joaquin County: (209) 468-3300
San Mateo County: (650) 363-4700
Santa Clara County: (408) 918-4600

If you have further questions on regulations, please contact:

Remnant Termite Control Company

Page 8 of 8 of Standard Inspection Report

758	Haverhill Dr.	Sunnyvale	CA	94087
Address of Property Inspected		City	State	Zip
Stamp No.	07/21/10	12432	Escrow No.	
	Date of Inspection	Co. Report No.		

The Structural Pest Control Board
2005 Evergreen Street, Ste. 1500
Sacramento, CA 95815
Tel: (916) 561-8700

REMNANT TERMITE CONTROL does no texturing, painting, or wall papering. However, we will cover exterior wood work with one(1) coat of white primer weather permitting.

If damage is found to extend into any inaccessible areas, a supplemental report will be issued with any findings, recommendations, and bids.

Should the further inspection items noted in this report not be performed, Remnant Termite Control will assume no liability for any infestations or infections which may be concealed in these areas.

REMNANT TERMITE CONTROL assumes no liability for, nor do we guarantee, work done by others. All guarantees, warrantees, and permits should be obtained from the parties performing the repair

If any of the wood repairs outlined in the above report are done by others, an open inspection must be performed by this company if the appropriate certification is desired.

Thank you for using Remnant Termite Control. If you have any questions regarding this report, please call and ask for Herbert Kim. Please bear in mind that the inspectors have full schedules during the day and can only be reached by phone early in the morning and late in the afternoon. The inspector will make every effort to make contact with you when he is available.

If you require further assistance or wish to schedule work as recommended in this report, please feel free to contact our office. We are here to assist you!

Remnant Termite Control Company

499 Salmar Ave. #G

Campbell CA 95008

Tel 408-374-7100 Fax 408-374-7101

remnanttermite@yahoo.com

AGREEMENT

Report #: 12432

No work will be performed until a signed copy of this agreement has been received.

Address of Property: 758 Haverhill Dr.

City: Sunnyvale

State/Zip: CA 94087

The inspection report of the company dated, 07/21/10 is incorporated herein by reference as though fully set forth.

The company is authorized to proceed with the work outlined in the items circled below from the Termite Inspection Report for the property inspected, for a total sum of \$ _____ . This total amount is due and payable within Ten (10) days from completion repair work and/or chemical application.

THE COMPANY AGREES

To guarantee all repair completed by this company for one year from date of completion except for caulking, grouting or plumbing, which is guaranteed for a period of Ninety (90) days. We assume no responsibility for work performed by others, to be bound to perform this work for the price quoted in our cost breakdown for a period not to exceed 30 days, to use reasonable care in the performance of our work but to assume no responsibility for damage to any hidden pipes, wiring, or other facilities or to any shrubs, plants or roof.

THE OWNER OR OWNER'S AGENT AGREES

To pay for services rendered in any additional services requested upon completion of work to pay a service charge of one and one-half percent (1 1/2%) interest per month, or portion of any month, annual interest rate of eighteen percent (18%) on accounts exceeding the ten (10) day full payment schedule. The Owner grants to The Company a security interest in the property to secure payment sum for work and inspection fee completed. In case of non-payment by The Owner, reasonable attorney fees and costs of collection shall be paid by owner, whether suit be filed or not.

ALL PARTIES AGREE

If any additional work is deemed necessary by the local building inspector, said work will not be performed without additional authorization from owner or owner's agent. This contract price does not include the charge of any Inspection Report fees. Circle the items you wish performed by The Company, below and enter total amount above:

NOTICE TO OWNER

Under the California Mechanics Lien Law any structural pest control company which contracts to do work for you, any contractor, subcontractor, laborer, supplier or other person who helps to improve your property, but is not paid for his or her work or supplies, has a right to enforce a claim against your property. This means that after a court hearing, your property could be sold by a court officer and the proceeds of the sale used to satisfy the indebtedness. This can happen even if you have paid your structural pest control company in full if the subcontractor, laborers or suppliers remain unpaid.

To preserve their right to file a claim or lien against your property, certain claimants such as subcontractors or material suppliers are required to provide you with a document entitled "Preliminary Notice." Prime contractors and laborers for wages do not have to provide this notice. A Preliminary Notice is not a lien against your property. Its purpose is to notify you of persons who may have a right to file a lien against your property if they are not paid.

ITEMS

Prefix	Section 1	Section 2	Further Inspection	Others
01a	300.00			
01aa	owner			
01b	650.00			
01c		150.00		
08a			owner	
10a		65.00		
11a	180.00			
11b	180.00			
11c		owner		
11d	450.00			
11e	180.00			
11f	650.00			
11g	50.00			
11h	550.00			
11i	350.00			
Total:	3,540.00	215.00		Grand: 3,755.00

Property Owner: _____

Date: _____

Inspected By: _____

Date: _____

Owner's Agent: _____

Date: _____

INVOICE / STATEMENT
Remnant Termite Control Company
499 Salmar Ave. #G
Campbell CA 95008
Tel 408-374-7100 Fax 408-374-7101

Date: 07/22/10
Report Number: 12432
Invoice Number: 12432
Escrow Number:

Property Inspected: 758 Haverhill Dr.
Sunnyvale, CA 94087

Bill To: JENNY HUH/Agent
758 Haverhill Dr.
Sunnyvale CA 94087

Description of Service
termite inspection

Inspection Amount:	\$130.00
Contract:	\$0.00
Labor/Materials:	\$0.00
Miscellaneous:	\$0.00
Interest:	\$0.00

Invoice Total: \$130.00

Payments: \$130.00
Additional Charge: \$0.00

Total Due: \$0.00

RETAIN THIS COPY FOR YOUR RECORDS

THANK YOU FOR YOUR BUSINESS

CUT HERE

CUT HERE

CUT HERE

INVOICE / STATEMENT
Remnant Termite Control Company
499 Salmar Ave. #G
Campbell CA 95008
Tel 408-374-7100 Fax 408-374-7101

Date: 07/22/10
Report Number: 12432
Invoice Number: 12432
Escrow Number:

Property Inspected: 758 Haverhill Dr.
Sunnyvale, CA 94087

Bill To: JENNY HUH/Agent
758 Haverhill Dr.
Sunnyvale CA 94087

Description of Service
termite inspection

Inspection Amount:	\$130.00
Contract:	\$0.00
Labor/Materials:	\$0.00
Miscellaneous:	\$0.00
Interest:	\$0.00

Invoice Total: \$130.00

Payments: \$130.00
Additional Charge: \$0.00

Total Due: \$0.00

RETURN THIS COPY WITH REMITTANCE

THANK YOU FOR YOUR BUSINESS